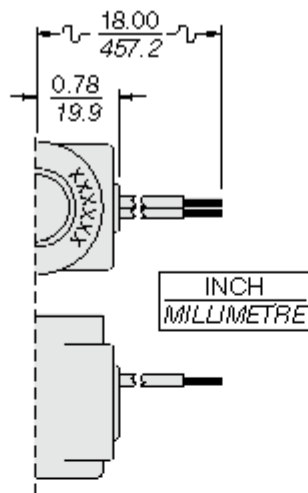
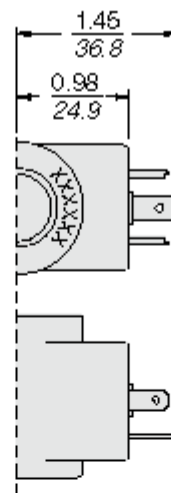


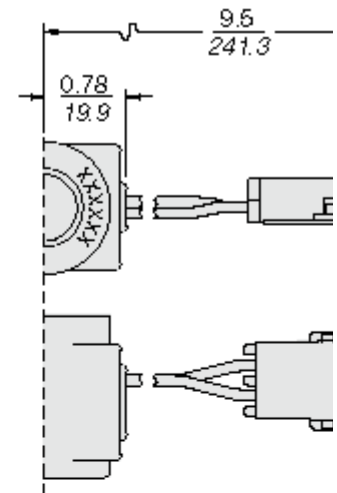
S
Dual Spades
SAE J858a



L
Dual Leads
18 Gauge
Optional 36-inch leads
available. Consult factory.



G
DIN 43650
Connector
Pins 1 and 2 are not
polarity-sensitive.
Ground pin is not used.



W
Dual 18 Gauge Leads
Weather Pack® Conn
For use with Packard
part no. 12015792 male p

Voltage	Part Number Suffix			
	S	L	G	W
12 VDC	6451112	6451212	6451612	6451512
24 VDC	6451124	6451224	6451624	6451524

Coil Weight: 110 g. (4.0 oz.)